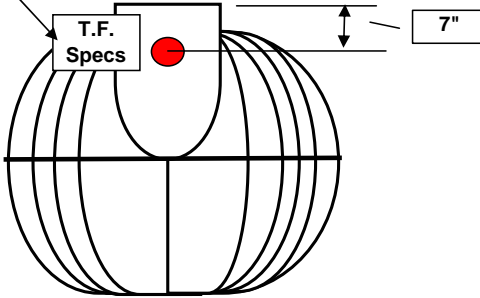


Tampa Fiberglass Inc.

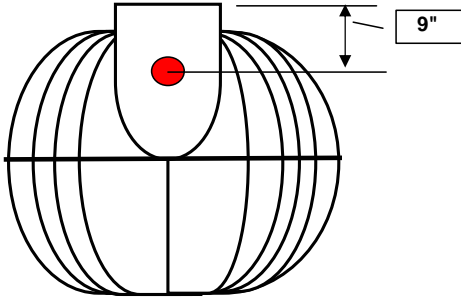
4209 Raleigh Street
 Tampa, Florida 33619
 Office 813 248-6828
 Fax 813-247-4065

Web: www.tampafiberglass.com
 Email: sales@tampafiberglass.com

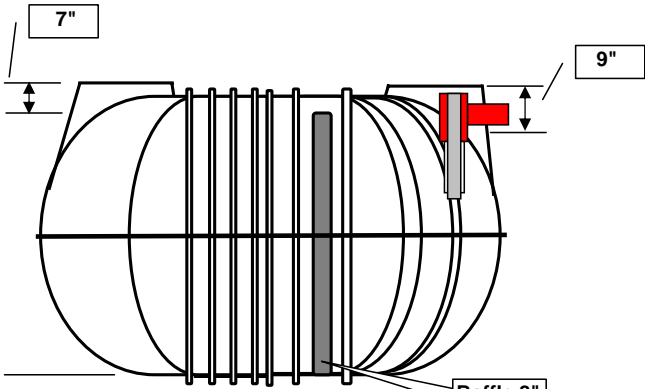
Sticker
 Side
 above
 Fill



Fill In Side



Field Side From Tank to Drain Field



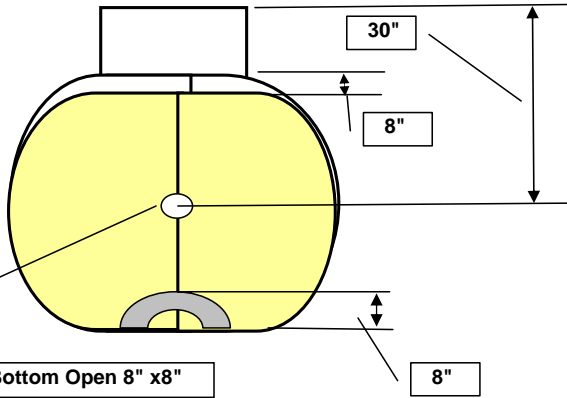
Field Side From Tank to Drain Field

Fill In Side

Fill side is the larger capacity to the baffle

Baffle 8" gap at

Baffle Location



Baffle is 8" down from top of tank All across the Top

5" Hole

Bottom Open 8" x8"

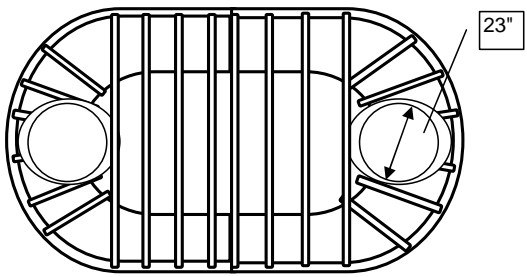
Seal

22"

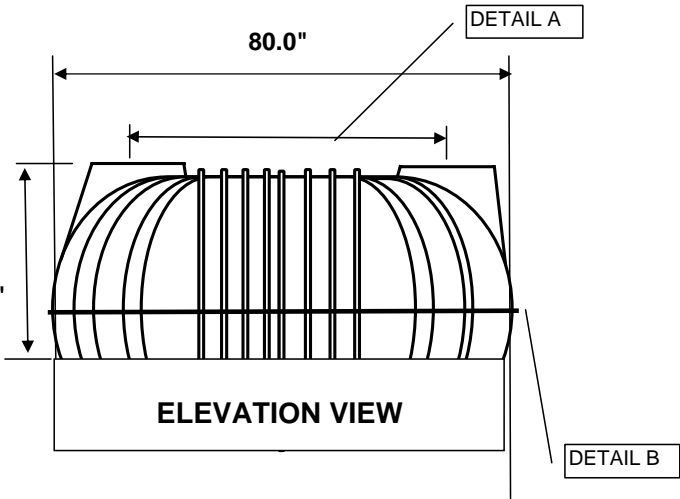
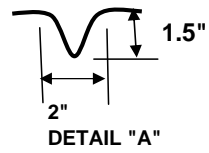
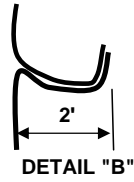
Filter

4" pvc pipe 8" Long
 4" pvc "T"
 4" pvc pipe 16"
 Overall length 22"

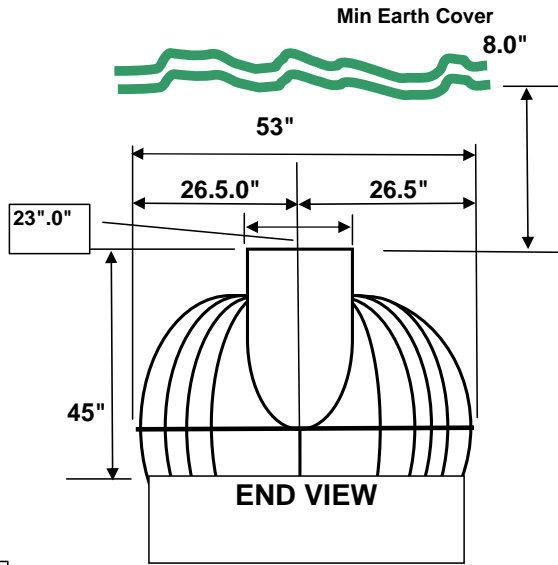
350 GALLON TANK



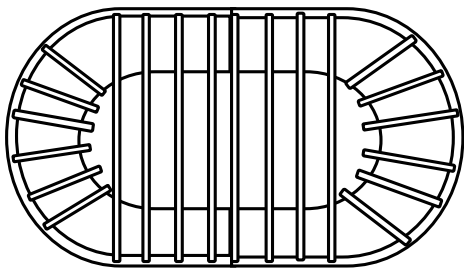
TOP VIEW



ELEVATION VIEW



END VIEW

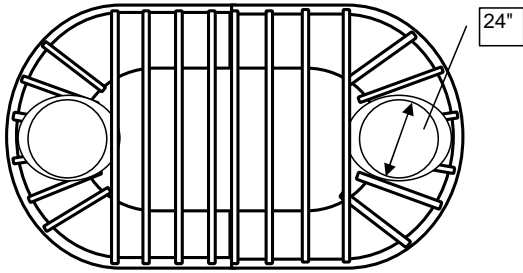


BOTTOM VIEW

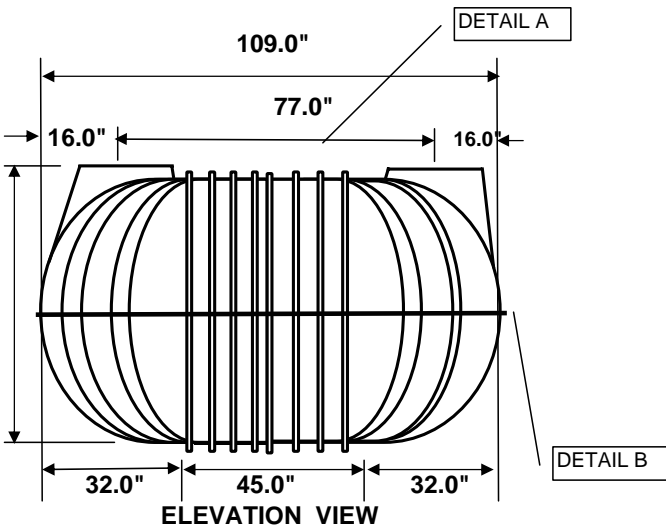
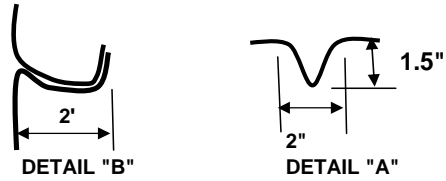
Tampa Fiberglass Inc.

4209 Raleigh Street
 Tampa, Florida 33619
 Office 813 248-6828
 Fax 813-247-4065
 Web: www.tampafiberglass.com
 Email: sales@tampafiberglass.com

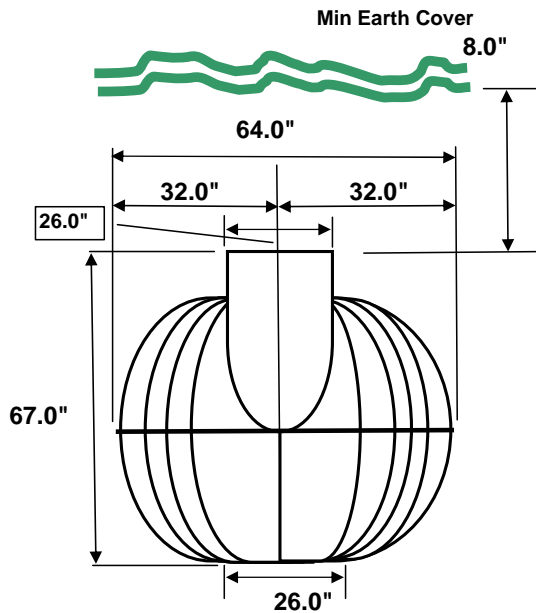
1050 GALLON TANK



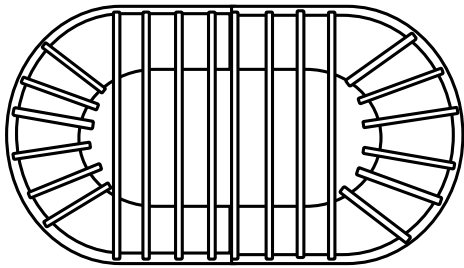
TOP VIEW



ELEVATION VIEW



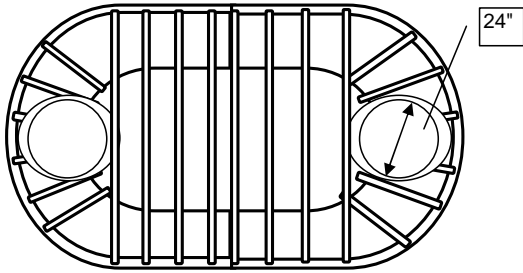
END VIEW



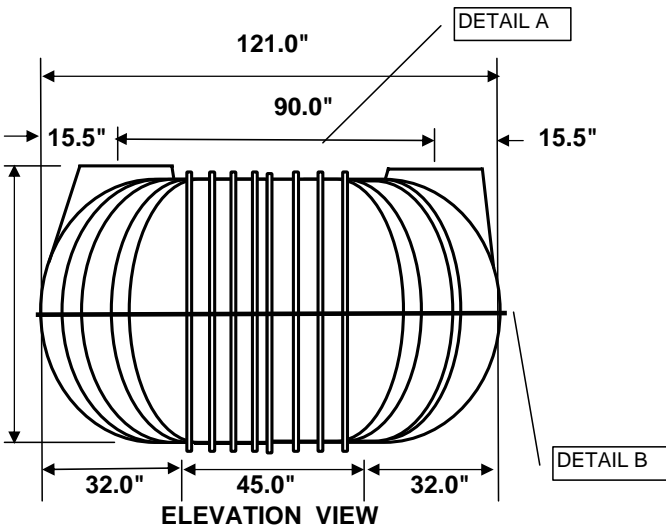
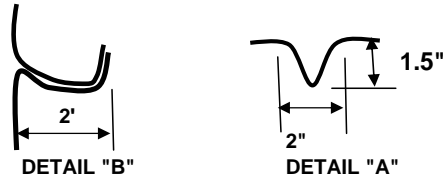
BOTTOM VIEW

Tampa Fiberglass Inc.
 4209 Raleigh Street
 Tampa, Florida 33619
 Office 813 248-6828
 Fax 813-247-4065
 Web: www.tampafiberglass.com
 Email: sales@tampafiberglass.com

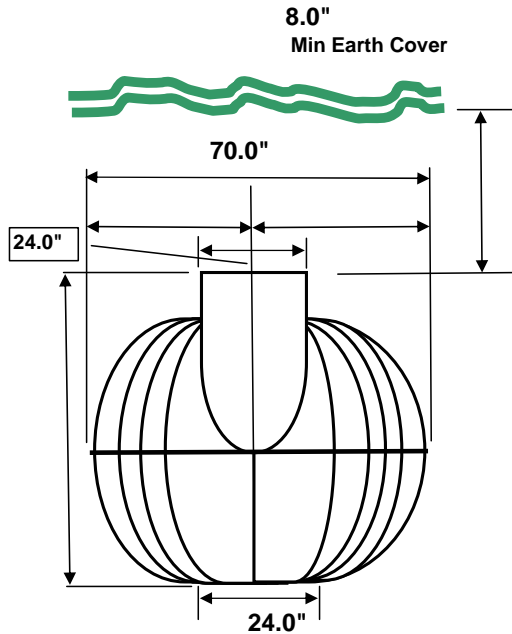
1350 GALLON TANK



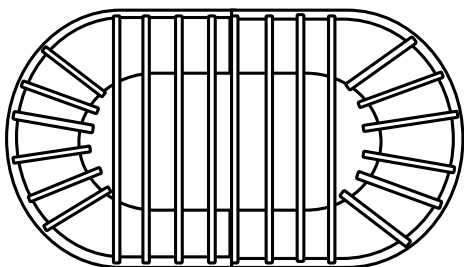
TOP VIEW



ELEVATION VIEW



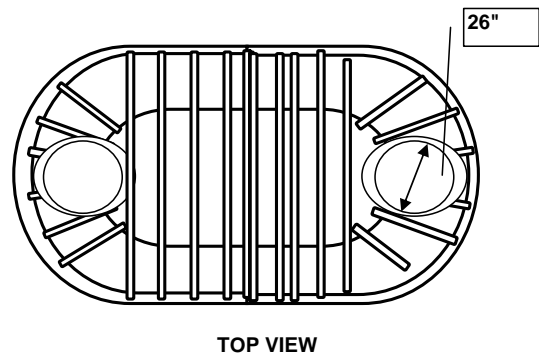
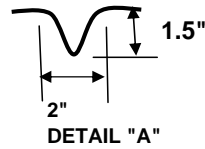
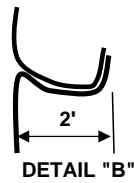
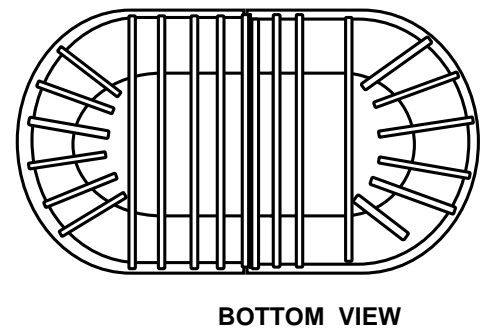
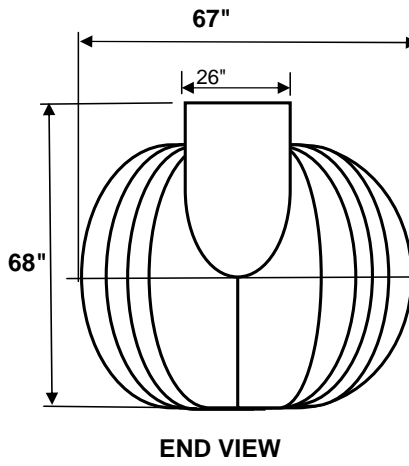
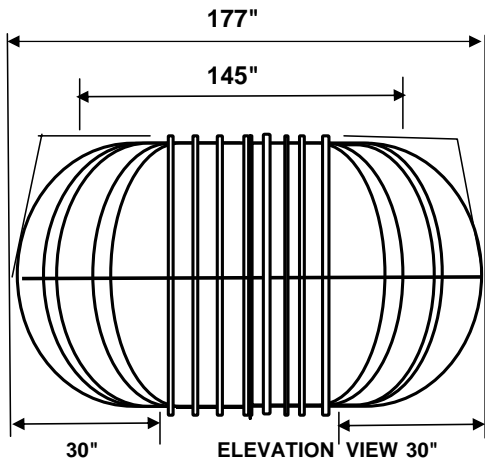
END VIEW



BOTTOM VIEW

Tampa Fiberglass Inc.
 4209 Raleigh Street
 Tampa, Florida 33619
 Office 813 248-6828
 Fax 813-247-4065
 Web: www.tampafiberglass.com
 Email: sales@tampafiberglass.com

2250 GALLON TANK



Tampa Fiberglass Inc.
4209 Raleigh Street
Tampa, Florida 33619
Office 813 248-6828
Fax 813-247-4065
Web: www.tampafiberglass.com
Email: sales@tampafiberglass.com